

# ICV 2,5/10-G-5,08

Order No.: 1786022



<http://eshop.phoenixcontact.de/phoenix/treeViewClick.do?UID=1786022>

Header, nominal current: 12 A, rated voltage: 320 V, pitch: 5.08 mm,  
number of positions: 10, mounting type: soldering

## Commercial data

EAN	4017918042172
Pack	50 Pcs.
Customs tariff	85366990
Weight/Piece	0.009765 KG
Catalog page information	Page 233 (CC-2007)

## Product notes

WEEE/RoHS-compliant since:  
01/01/2003



<http://www.download.phoenixcontact.com>  
Please note that the data given here has been taken from the online catalog. For comprehensive information and data, please refer to the user documentation. The General Terms and Conditions of Use apply to Internet downloads.

## Technical data

### Dimensions / positions

Pitch	5.08 mm
Dimension a	45.72 mm
Number of positions	10
Pin dimensions	1,3 x 0,7 mm
Hole diameter	1.4 mm

**Technical data**

Insulating material group	I
Rated surge voltage (III/3)	4 kV
Rated surge voltage (III/2)	4 kV
Rated surge voltage (II/2)	4 kV
Rated voltage (III/2)	320 V
Rated voltage (II/2)	630 V
Connection in acc. with standard	EN-VDE
Nominal current $I_N$	12 A
Nominal voltage $U_N$	320 V
Maximum load current	12 A
Insulating material	PA
Inflammability class acc. to UL 94	V0

**Certificates / Approvals**

Approval logo



**CSA**

Nominal voltage $U_N$	300 V
Nominal current $I_N$	10 A

**CUL**

Nominal voltage $U_N$	300 V
Nominal current $I_N$	10 A

**UL**

Nominal voltage $U_N$	300 V
Nominal current $I_N$	10 A
Certification	CB, CSA, CUL, GOST, UL, VDE-PZI

**Accessories**

Item	Designation	Description
<b>Assembly</b>		
1808353	FLRP/ICV 80	Pair of guide rails, is inserted into the groove ICV/...G, height: 86 mm, hole diameter: 3.4 mm

<b>Plug/Adapter</b>		
1734634	CP-MSTB	Coding profile, is inserted into the slot on the plug or inverted header, red insulating material
0201744	MPS-MT	Test plug, consisting of: Metal part for 2.3 mm diameter socket hole
0201647	RPS	Reducing plug, for transition from 4 mm diameter test plug socket, insulation: gray

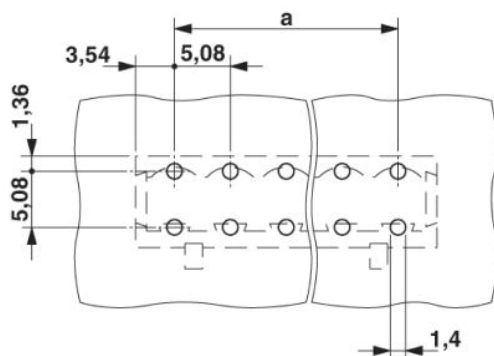
**Additional products**

Item	Designation	Description
<b>General</b>		
1872541	A-MSTBVA 2,5/10-G-5,08	Header, nominal current: 12 A, rated voltage: 250 V, pitch: 5.08 mm, no. of positions: 10, mounting: Mounting rail
0707316	DFK-MSTB 2,5/10-G-5,08	Header, nominal current: 12 A, rated voltage: 320 V, pitch: 5.08 mm, no. of positions: 10, mounting: Direct mounting
1898910	DFK-MSTBA 2,5/10-G-5,08	Header, nominal current: 12 A, rated voltage: 250 V, pitch: 5.08 mm, no. of positions: 10, mounting: Soldering
1899210	DFK-MSTBVA 2,5/10-G-5,08	Header, nominal current: 12 A, rated voltage: 250 V, pitch: 5.08 mm, no. of positions: 10, mounting: Soldering
1880384	EMSTBA 2,5/10-G-5,08	Header, nominal current: 12 A, rated voltage: 250 V, pitch: 5.08 mm, no. of positions: 10, mounting: Press in
1859593	EMSTBVA 2,5/10-G-5,08	Header, nominal current: 12 A, rated voltage: 200 V, pitch: 5.08 mm, no. of positions: 10, mounting: press in
1873430	FKIC 2,5/10-ST-5,08	Plug component, nominal current: 12 A, rated voltage: 320 V, pitch: 5.08 mm, no. of positions: 10, type of connection: Spring-cage connection
1786255	IC 2,5/10-ST-5,08	Plug component, nominal current: 12 A, rated voltage: 250 V, pitch: 5.08 mm, no. of positions: 10, type of connection: Screw connection
1823927	ICC 2,5/10-STZ-5,08	Plug component, nominal current: 12 A, rated voltage: 250 V, pitch: 5.08 mm, no. of positions: 10, type of connection: Crimp connection
1762457	MDSTB 2,5/10-G1-5,08	Header, nominal current: 10 A, rated voltage: 250 V, pitch: 5.08 mm, no. of positions: 10, mounting: Soldering

1842144	MDSTBA 2,5/10-G-5,08	Header, nominal current: 10 A, rated voltage: 250 V, pitch: 5.08 mm, no. of positions: 10, mounting: Soldering
1762583	MDSTBV 2,5/10-G1-5,08	Header, nominal current: 10 A, rated voltage: 250 V, pitch: 5.08 mm, no. of positions: 10, mounting: Soldering
1845413	MDSTBVA 2,5/10-G-5,08	Header, nominal current: 10 A, rated voltage: 250 V, pitch: 5.08 mm, no. of positions: 10, mounting: Soldering
1759091	MSTB 2,5/10-G-5,08	Header, nominal current: 12 A, rated voltage: 250 V, pitch: 5.08 mm, no. of positions: 10, mounting: Soldering
1770795	MSTB 2,5/10-G-5,08-LA	Header, nominal current: 12 A, rated voltage: 250 V, pitch: 5.08 mm, no. of positions: 10, mounting: Soldering
1757323	MSTBA 2,5/10-G-5,08	Header, nominal current: 12 A, rated voltage: 250 V, pitch: 5.08 mm, no. of positions: 10, mounting: Soldering
1768024	MSTBA 2,5/10-G-5,08-LA	Header, nominal current: 12 A, rated voltage: 250 V, pitch: 5.08 mm, no. of positions: 10, mounting: Soldering
1758092	MSTBV 2,5/10-G-5,08	Header, nominal current: 12 A, rated voltage: 250 V, pitch: 5.08 mm, no. of positions: 10, mounting: Soldering
1808544	MSTBV 2,5/10-GEH-5,08	Header, nominal current: 12 A, rated voltage: 250 V, pitch: 5.08 mm, no. of positions: 10, mounting: Soldering
1755817	MSTBVA 2,5/10-G-5,08	Header, nominal current: 12 A, rated voltage: 250 V, pitch: 5.08 mm, no. of positions: 10, mounting: Soldering
1735808	MSTBW 2,5/10-G-5,08	Header, nominal current: 12 A, rated voltage: 250 V, pitch: 5.08 mm, no. of positions: 10, mounting: Soldering
1769544	SMSTB 2,5/10-G-5,08	Header, nominal current: 12 A, rated voltage: 250 V, pitch: 5.08 mm, no. of positions: 10, mounting: Soldering
1767452	SMSTBA 2,5/10-G-5,08	Header, nominal current: 12 A, rated voltage: 250 V, pitch: 5.08 mm, no. of positions: 10, mounting: Soldering

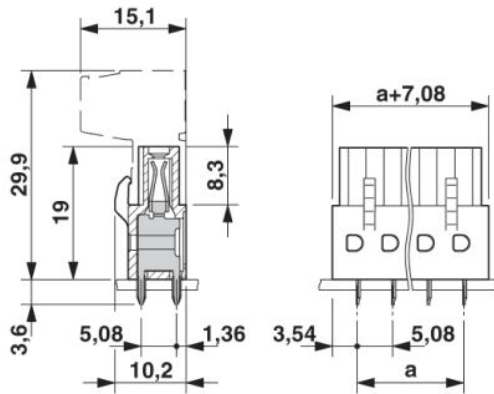
## Drawings

Drilling diagram



Dimensioned drawing

---



**Address**

PHOENIX CONTACT GmbH & Co. KG  
Flachsmarktstr. 8  
32825 Blomberg, Germany  
Phone +49 5235 3 00  
Fax +49 5235 3 41200  
<http://www.phoenixcontact.de>



© 2008 Phoenix Contact  
Technical modifications reserved;